

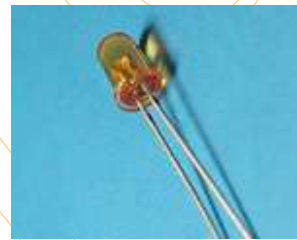


LED DATA SHEET

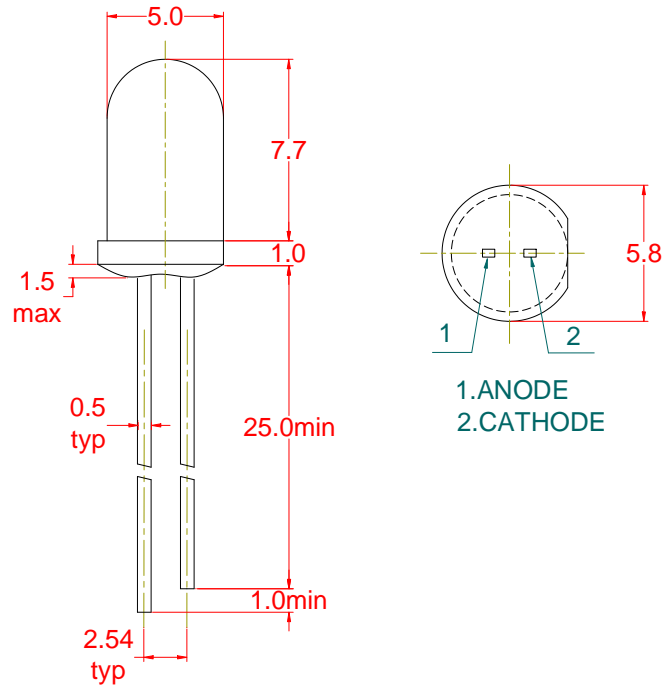
| | | | |
|---------------|------------------------|-------------|--------------------|
| Part No. | JY503E4UW/YT | | |
| Emitted Color | Ultra Super warm White | Len's Color | Yellow Water Clear |

Features:

5mm Round resin mold type
High intensity and reliable
Chip material: InGaN



Package Dimensions:



Note:

- All dimensions are in millimetres (mm)
- Tolerance is $\pm 0.25\text{mm}$ unless otherwise noted

| | | | |
|----------|--------------|-------------------------|--------------|
| Part No. | JY503E4UW/YT | Edition Data:2005-12-24 | Page: 1 of 3 |
|----------|--------------|-------------------------|--------------|



◆ Absolute Maximum Rating (Ta=25°C)

| Parameter | Symbol | Max. | Unit |
|---|-----------------|---------------|------|
| Power Dissipation | P _M | 150 | Mw |
| Pulse Forward Current (Duty 1/10 @ 1kHz) | I _{FP} | 100 | mA |
| Continuous Forward Current | I _F | 40 | mA |
| Reverse Voltage | V _R | 6 | V |
| Operating Temperature Range | Topr | -25°C ~ 85°C | °C |
| Storage Temperature Range | Tstg | -40°C ~ 100°C | °C |

Solder Temperature: 2.0mm From Body For 3 Seconds at 260°C

◆ Electrical Optical Characteristics (Ta=25°C)

| Parameter | Symbol | Min. | Typ. | Max. | Unit | Test Condition |
|--------------------------|-------------------|------|------|------|------|----------------------|
| Luminous Intensity | I _v | -- | 2500 | -- | mcd | I _F =20mA |
| Forward Voltage | V _F | -- | 3.5 | 4.0 | V | I _F =20mA |
| Reverse Current | I _R | -- | | 50 | uA | V _R =5V |
| Chromaticity Coordinates | x | -- | 0.28 | -- | nm | I _F =20mA |
| | y | -- | 0.31 | -- | nm | |
| Viewing Angle | 2θ _{1/2} | -- | 50 | -- | Deg. | I _F =20mA |

Pay attention to electrostatic (ESD)

Note:

- 1、 The luminous intensity data and λ_p is survey values with the machine JF- II 、 JS-2000.
- 2、 2θ_{1/2} is the clip angle at which the luminous intensity is half the axial luminous intensity.

| | | | |
|----------|--------------|-------------------------|-------------|
| Part No. | JY503E4UW/YT | Edition Data:2005-12-24 | Page: 2of 3 |
|----------|--------------|-------------------------|-------------|



Typical Characteristic Curves:

